

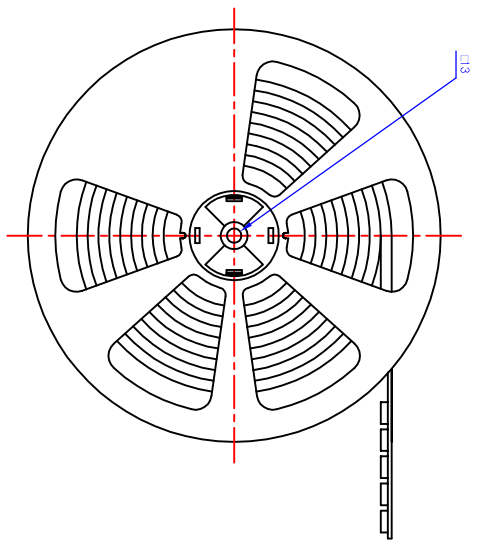
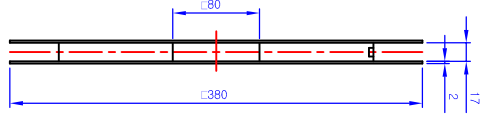
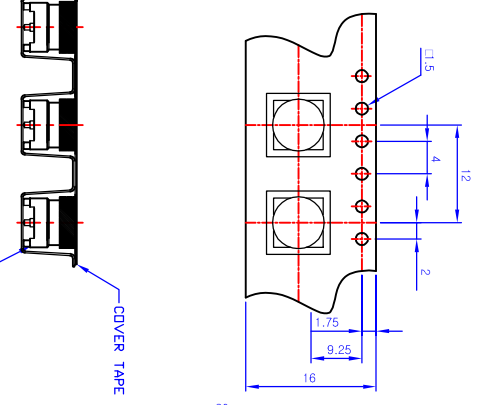
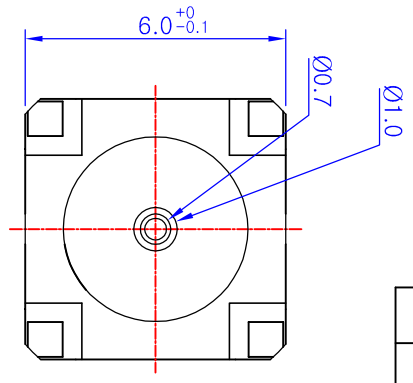
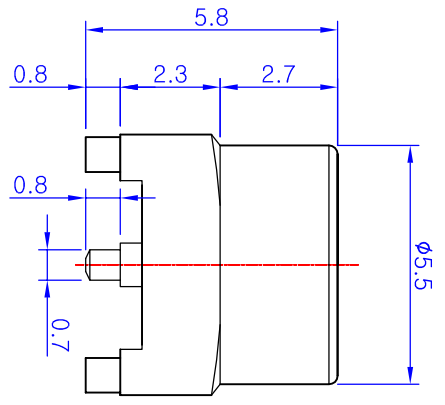
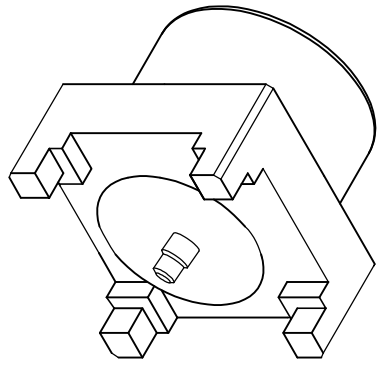
1

2

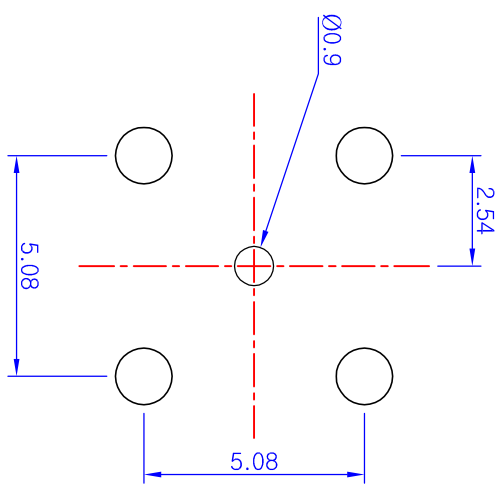
3

REVISIONS

| NO | DESCRIPTION | APPROVED |
|----|-------------|----------|
| | | |



PCB LAY OUT



| NO | PART NO | NAME | Q.TY | MAT.L | FINISH | REMARK |
|----|---------|-----------|------|------------------|--------|--------|
| 3 | - | Insulator | 1 | PTFE | | |
| 2 | - | Pin | 1 | Beryllium-Copper | Gold | |
| 1 | - | BDDY | 1 | Brass | Gold | |

| | |
|-------------|------------------------------------|
| DATE | 2008. 04. 15 |
| DRAWN BY | |
| DESIGNED BY | |
| CHECKED BY | |
| APPD. BY | |
| SCALE 1 : 1 | UNIT mm |
| TITLE | (주) 새한안테나 |
| | MCX Straight RF Connector SMD Type |
| SIZE | MCX-ST-SMT |
| DRAWING NO | C320-029-600 |
| SHEET | 1 OF 1 |

A

2

3

4

A