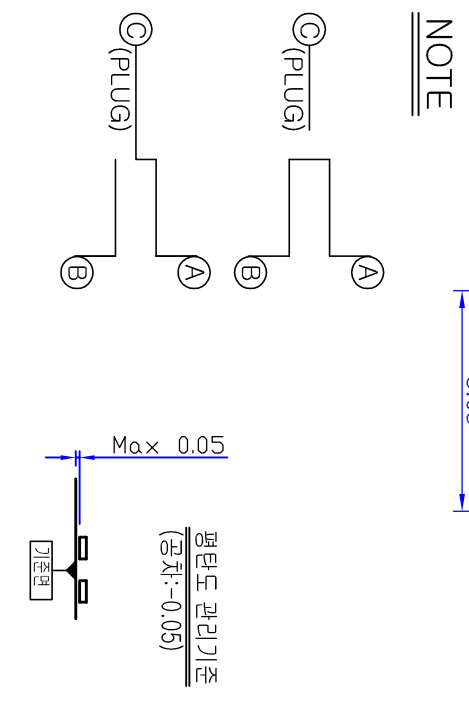
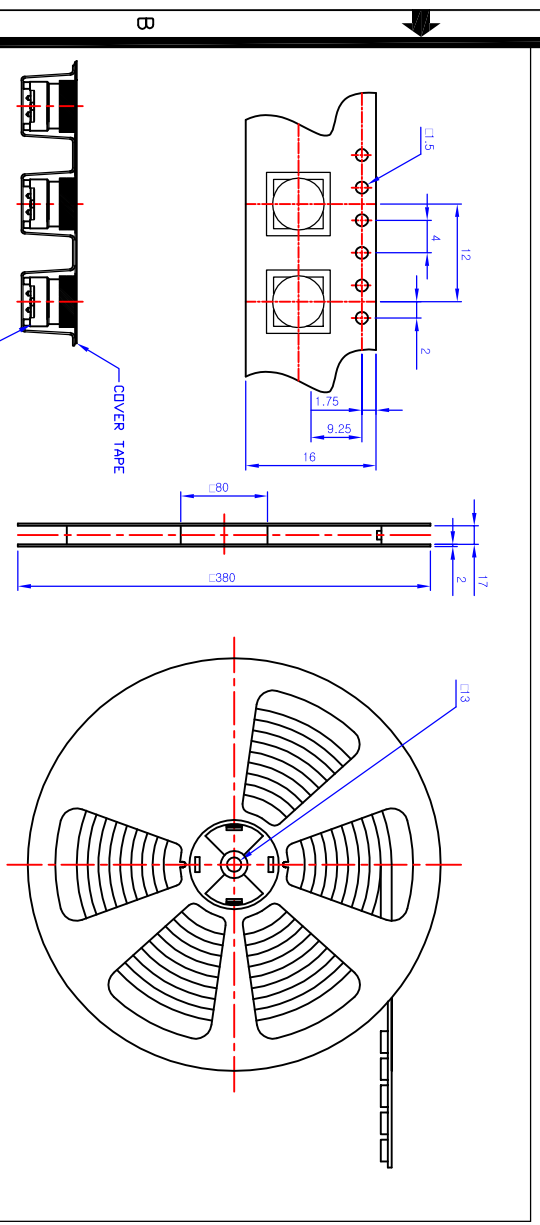
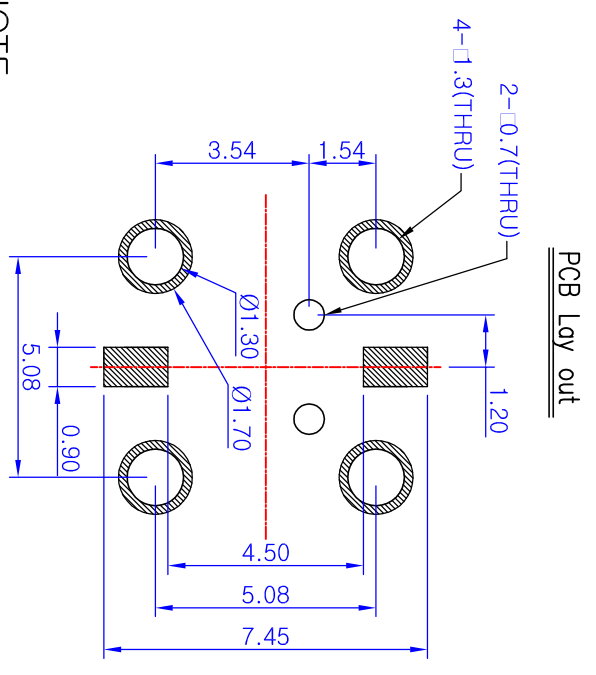
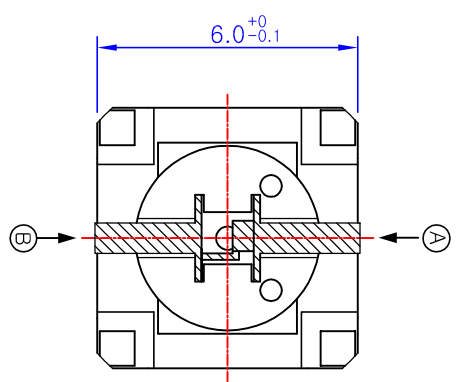
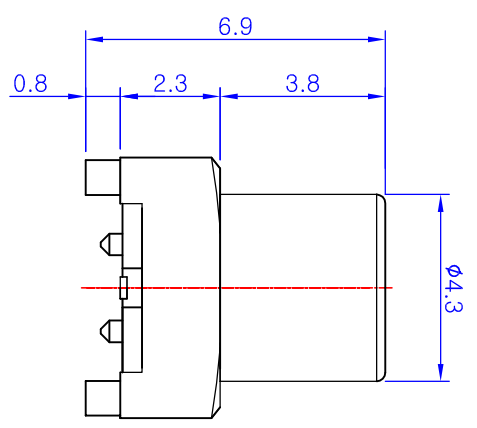
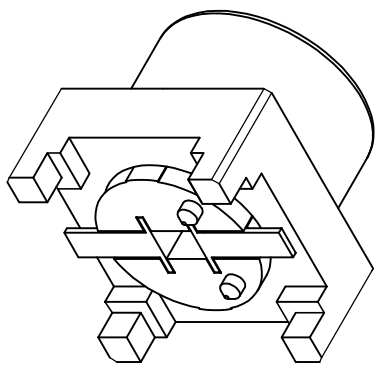


| REVISIONS |             | APPROVED |
|-----------|-------------|----------|
| NO        | DESCRIPTION |          |



| NO | PART NO | NAME      | Q.TY | MAT.L            | FINISH        | REMARK        |
|----|---------|-----------|------|------------------|---------------|---------------|
| 4  | -       | Insulator | 1    | LCP              | White         |               |
| 3  | -       | Pin-B     | 1    | Beryllium-Copper | Gold(NiP+AuP) | C17460R-3/4HT |
| 2  | -       | Pin-A     | 1    | Beryllium-Copper | Gold(NiP+AuP) | C17460R-3/4HT |
| 1  | -       | BDDY      | 1    | Brass            | Gold(NiP+AuP) |               |

|            |            |             |                     |
|------------|------------|-------------|---------------------|
| DATE       | 2009.02.07 | TITLE       | MCX Straight        |
| DRAWN BY   |            | DESIGNED BY | RF Connector Switch |
| CHECKED BY |            | APPD. BY    |                     |
| SCALE 1:1  | UNIT mm    | SIZE        | A4                  |
|            |            | DRAWING NO  | C320-029-52S        |
|            |            | SHEET       | 1 OF 1              |

(주) 새한안테나