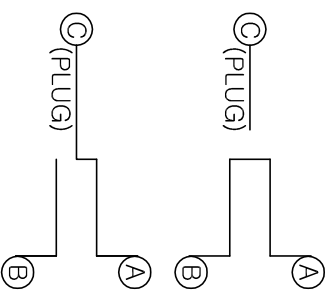
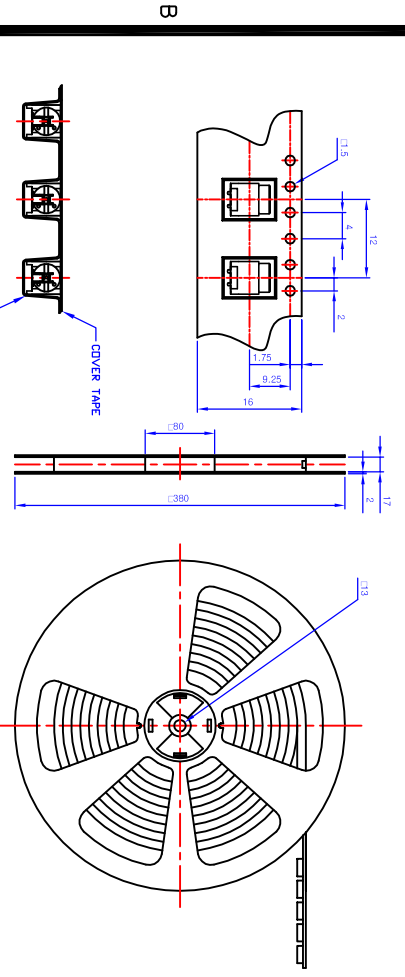
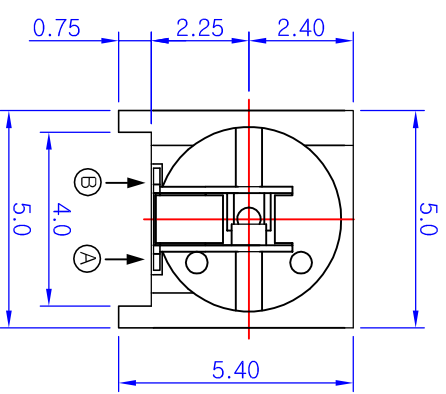
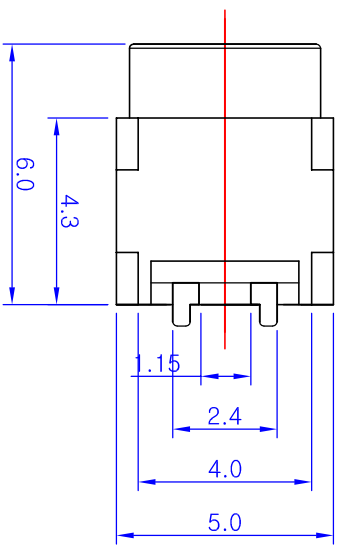
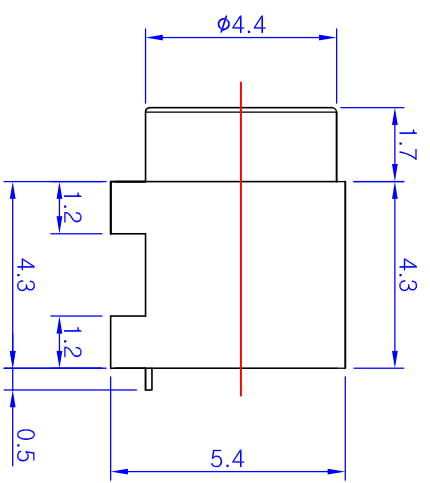
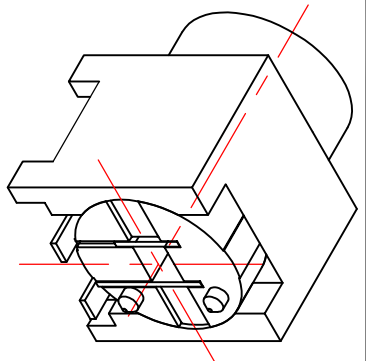


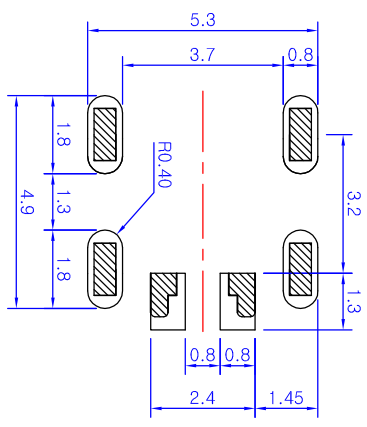
REVISIONS		APPROVED
NO	DESCRIPTION	



NOTE

평면도 관리기준
(공차:-0.05)

PCB LAY OUT



NO	PART NO	NAME	Q.TY	MAT.L	FINISH	REMARK
4	-	Insulator	1	PAGT	White	
3	-	Pin-B	1	Beryllium-Copper	Gold(NiP+AuP)	C17460R-3/4HT
2	-	Pin-A	1	Beryllium-Copper	Gold(NiP+AuP)	C17460R-3/4HT
1	-	BDDY	1	Brass	Gold(NiP+AuP)	

DATE	2006. 02. 07	TITLE	(주) 새한안테나	
DRAWN BY		DESIGNED BY	MCX Right Angle	
CHECKED BY		APPD. BY	RF Connector Switch	
SCALE 1 : 1	UNIT mm	SIZE	A4	DRAWING NO
				C320-031-50S
			SHEET 1	OF 1